

PrAMC based on Intel Xeon E3-1125, Dual SRIO – AMC722

PrAMC, Dual SRIO



KEY FEATURES

- Single module, mid-size (option for full-size) per AMC.0
- Processor AMC with Intel® Xeon™ with an 8900 Series PCH
- SRIO on ports 4-7 and 8-11 (AMC.4)
- GbE to ports 0 and 1 (AMC.2)
- SATA to ports 2 and 3 (AMC.3)
- Dual GbE to the front panel
- Up to 16 GB of DDR3 memory with ECC
- Option for up to 32 GB Flash
- Serial over LAN
- IPMI 2.0 compliant
- RoHS compliant

AdvancedMC™

Benefits of Choosing VadaTech

- High performance processor with various chipset options
- Design utilizes proven VadaTech subcomponents and engineering techniques
- Electrical, mechanical, software, and system-level expertise in house
- Full ecosystem of front and rear boards, enclosures, specialty modules, and test/dev products from one source
- AS9100 and ISO9001 certified company

The AMC722 is a Processor AMC (PrAMC) in a single module, mid-size AdvancedMC™ (AMC) form factor based on the Intel® Xeon™ Processor with an 8900 Series PCH.

The module follows the AMC.2, AMC.3 and the AMC.4 specifications. The module provides dual x4 SRIO on ports 4-11 per AMC.4, dual GbE on ports 0 and 1 per AMC.2, and SATA on ports 2 and 3 per AMC.3. It also provides dual GbE to the front. The SRIO v2.1 on AMC722 supports baud rates of 1.25, 2.5, 3.125 and 5 Gbaud.

The AMC722 has option for up to 16 GB of DDR3 memory with ECC. Further the AMC722 provides 32 GB of Flash for the OS. The AMC722 has serial over LAN with hardware Random Number Generator (RNG) as seed generator for authentication.

The BIOS allows booting from on board Flash, off board SATA, PXE boot as well as USB.

Linux OS is standard on the AMC722, consult VadaTech for other options.

INTEGRATION SERVICES AND APPLICATION-READY PLATFORMS

VadaTech has a full ecosystem of ATCA and μ TCA products including chassis platforms, shelf managers, AMC modules, Switch and Payload Boards, Rear Transition Modules (RTM), Power Modules, and more. The company also offers integration services as well as pre-configured Application-Ready Platforms. Please contact VadaTech Sales for more information.

BLOCK DIAGRAM

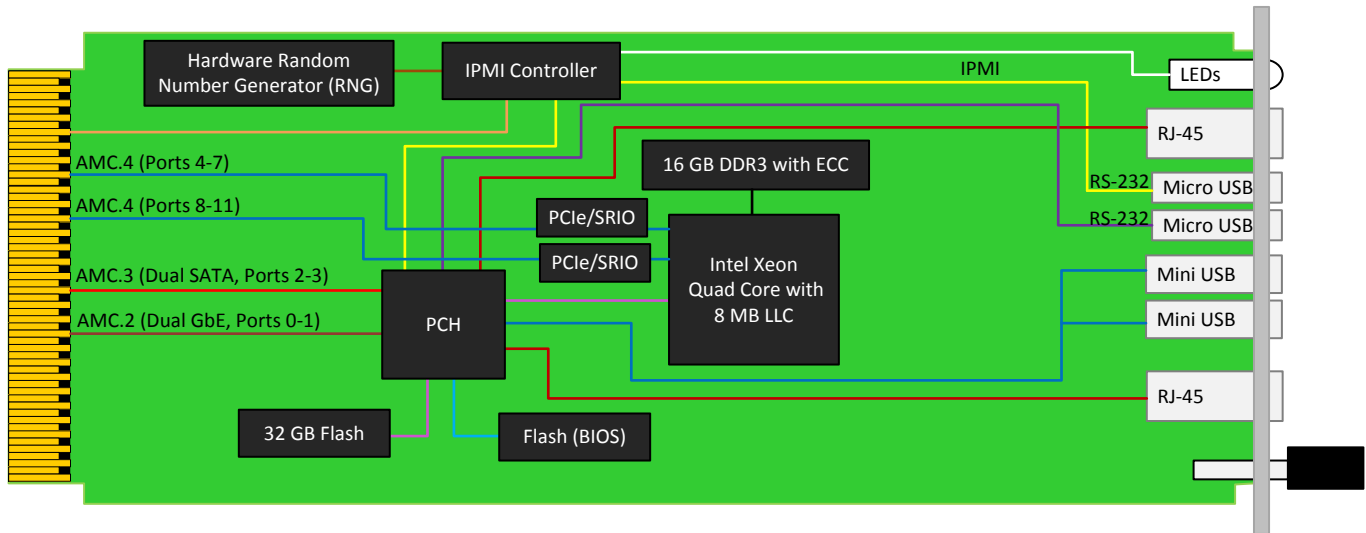


Figure 1: AMC722 Functional Block Diagram

FRONT PANEL

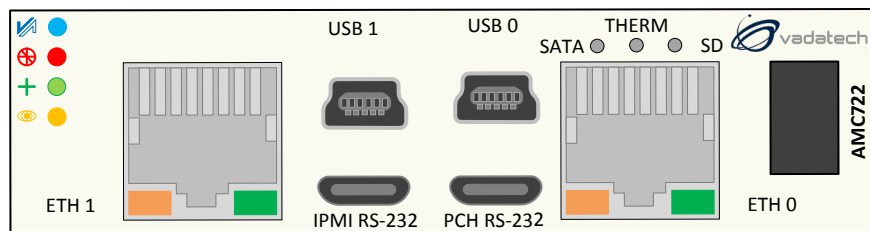


Figure 2: AMC722 Front Panel

SPECIFICATIONS

Architecture		
Physical	Dimensions	Single module, mid-size (full-size optional)
		Width: 2.89" (73.5 mm) Depth 7.11" (180.6 mm)
Type	AMC Processor	Intel® Xeon™ with up to four core at 2.0 GHz and 8 MB LLC
Standards		
AMC	Type	AMC.0, AMC.2, AMC.3 and/or AMC.4
Module Management	IPMI	IPMI version 2.0
SRIO	Lanes	Dual x4 SRIO on ports 4-11
Configuration		
Power	AMC722	18W to 55W (CPU dependant)
Environmental	Temperature	Operating temperature: -5° to 55° C (air flow requirement of >600 LFM), industrial and military versions also available (See environmental spec sheet)
		Storage Temperature: -40° to +85°C
	Vibration	Operating 9.8 m/s ² (1G), 5 to 500Hz on each axis
	Shock	Operating 325G / 2 ms, 160G / 1 ms
Front Panel	Interface Connectors	5 to 95 per cent, non-condensing
		Dual GbE via RJ-45
		Dual USB via mini USB
	LEDs	Dual RS-232 via microUSB
		IPMI management control
Mechanical	Activity / Link user LEDs	
Software Support	Operating System	Hot swap ejector handle
Conformal Coating		Linux (consult factory for VxWorks, Windows, or other options)
		Humiseal 1A33 Polyurethane (Optional) Humiseal 1B31 Acrylic (Optional)
Other		
MTBF		MIL Hand book 217-F@ TBD hrs
Certifications		Designed to meet FCC, CE and UL certifications, where applicable
Standards		VadaTech is certified to both the ISO9001:2000 and AS9100B:2004 standards
Warranty		Two (2) years
Trademarks and Disclaimer		The VadaTech logo is a registered trademark of VadaTech, Inc. Other registered trademarks are the property of their respective owners. AdvancedTCA™ and the AdvancedMC™ logo are trademarks of the PCI Industrial Computers Manufacturers Group. All rights reserved. Specification subject to change without notice

ORDERING OPTIONS

AMC722 – ABC – D00 – 0HJ

A = CPU Core, Speed, Cache

- 1 = 4C, 2 GHz, 8 MB LLC (Xeon E3-1125)
- 2 = Reserved
- 3 = Reserved
- 4 = Reserved
- 5 = Reserved
- 6 = Reserved
- 7 = 4C, 2.5 GHz, 8 MB LLC (Xeon E3 1125 v2)

B = DDR3 ECC Memory

- 0 = 4 GB
- 1 = 8 GB
- 2 = 16 GB

C = Front Panel Size

- 0 = Reserved
- 1 = Reserved
- 2 = Mid-size
- 3 = Full-size

D = Flash Memory

- 0 = None
 - 1 = Reserved
 - 2 = Reserved
 - 3 = 32 GB*
- * VadaTech reserves the right to supply larger capacity unless specifically stated otherwise on the Purchase Order

H = Temperature Range

- 0 = Commercial (-5 to +55° C)
- 1 = Industrial (-20 to +70° C)

J = Conformal Coating

- 0 = None
- 1 = Humiseal 1A33 Polyurethane
- 2 = Humiseal 1B31 Acrylic

RELATED PRODUCTS



VT811 MicroTCA.4
Chassis



AMC520 MicroTCA.4
A/D Converter



UTC018 Power
Module (12HP)

CONTACT US

VadaTech Corporate Office

198 N. Gibson Road,
Henderson, NV 89014
Email: info@vadatech.com
Telephone: +1 702 896-3337
Fax: +1 702 896-0332

Asia Pacific Sales Office

7 Floor, No. 2, Wenhui Street, Neihu District,
Taipei 114, Taiwan
Email: info@vadatech.com
Telephone: +886-2-2627-7655
Fax: +886-2-2627-7792

VadaTech European Sales Office

Ocean Village Innovation Centre, Ocean Way,
Ocean Village, Southampton, SO14 3JZ
Email: info@vadatech.com
Telephone: +44 2380 381982
Fax: +44 2380 381983